

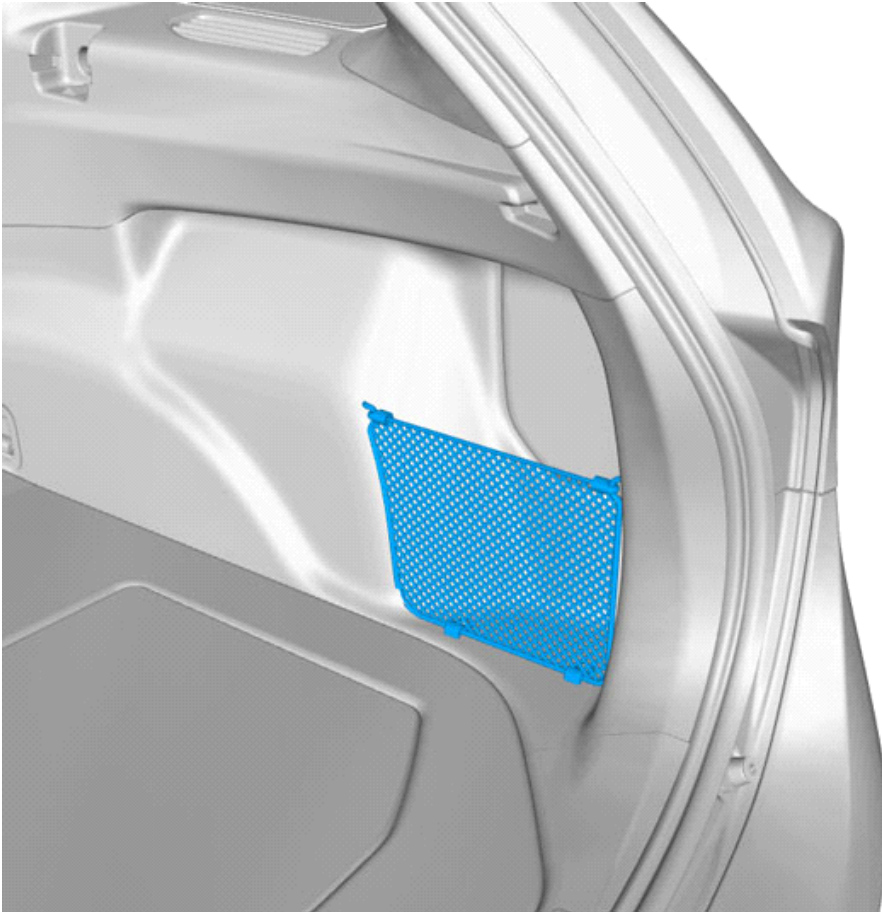


Installation instructions, accessories

Volvo Car Corporation Gothenburg, Sweden

Instruction No	Version	Part. No.
31305430	1.0	30756503

Net pocket, cargo compartment, side panel



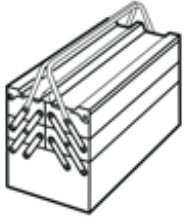
IMG-342461



Installation instructions, accessories

Volvo Car Corporation Gothenburg, Sweden

Equipment



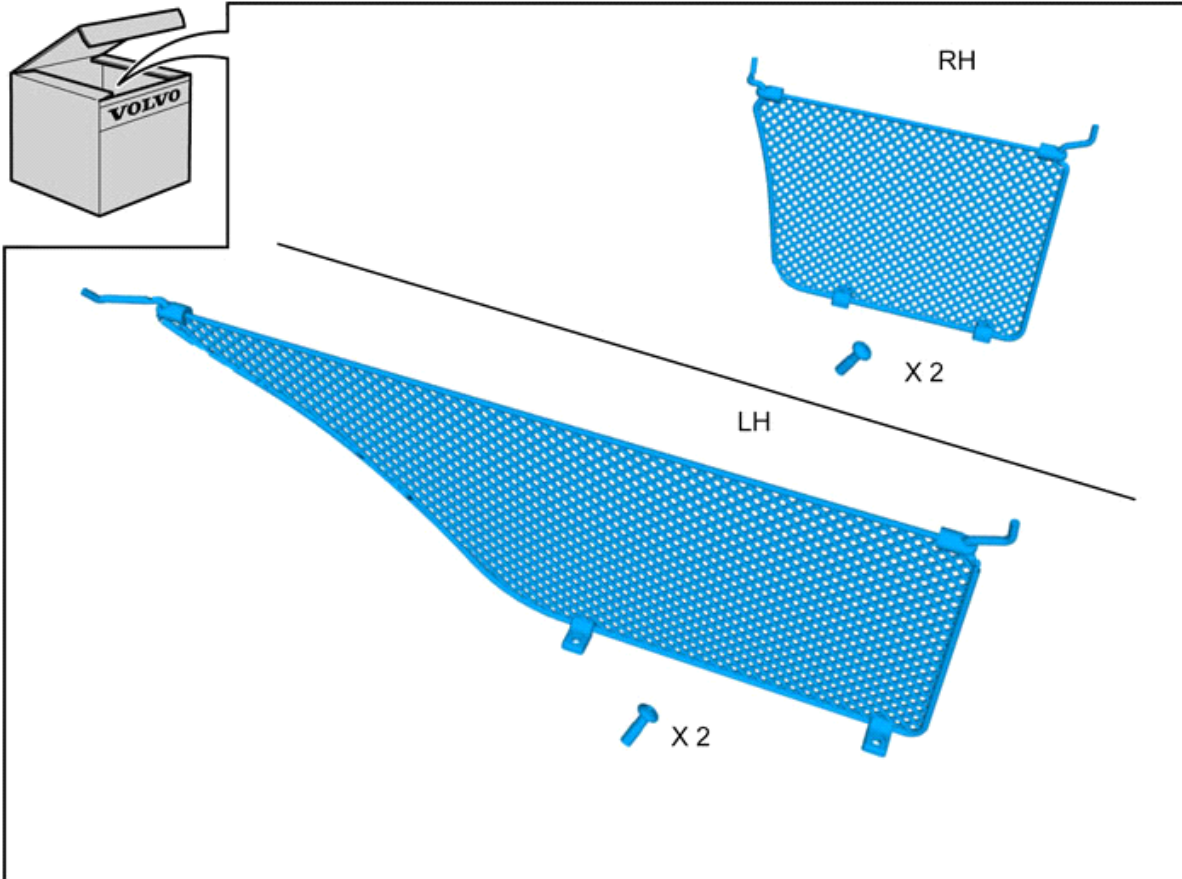
A0000162



IMG-239660



IMG-239681



IMG-342462



Installation instructions, accessories

Volvo Car Corporation Gothenburg, Sweden

INTRODUCTION

Read through all of the instructions before starting installation.

Notifications and warning texts are for your safety and to minimise the risk of something breaking during installation.

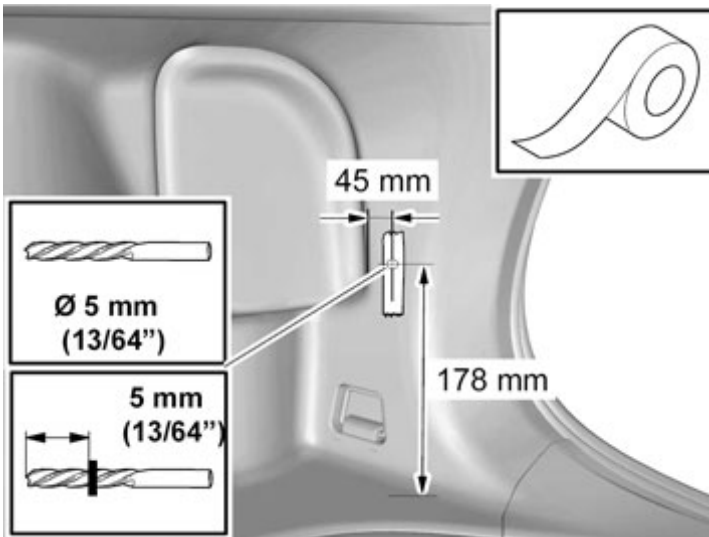
Ensure that all tools stated in the instructions are available before starting installation.

Certain steps in the instructions are only presented in the form of images. Explanatory text is also given for more complicated steps.

In the event of any problems with the instructions or the accessory, contact your local Volvo dealer.

Right-hand side

1



IMG-342335

Right-hand side

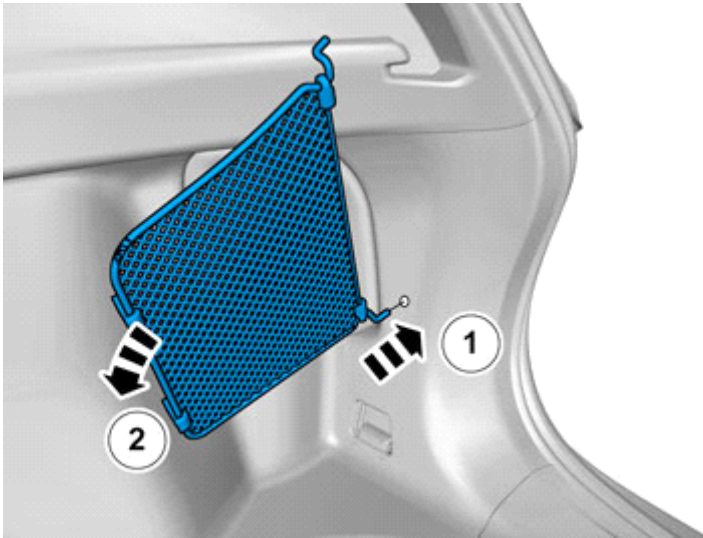
Drill out the hole.



Installation instructions, accessories

Volvo Car Corporation Gothenburg, Sweden

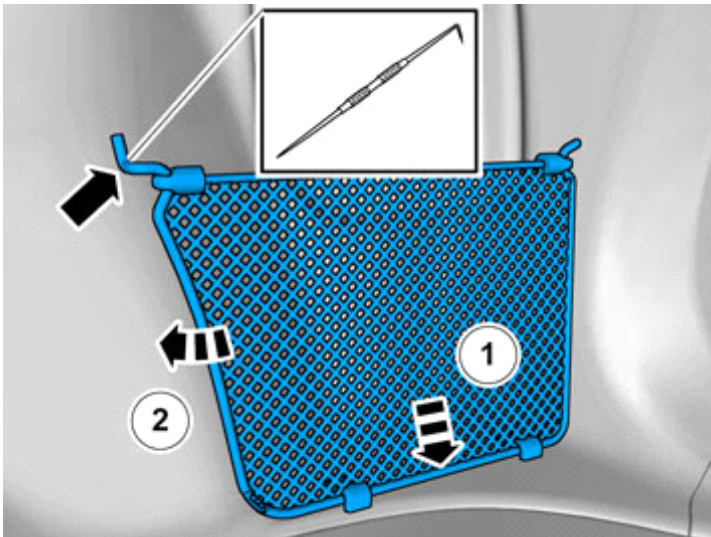
2



IMG-342337

Insert the pocket's rear mounting in the hole in the panel and fold down.

3

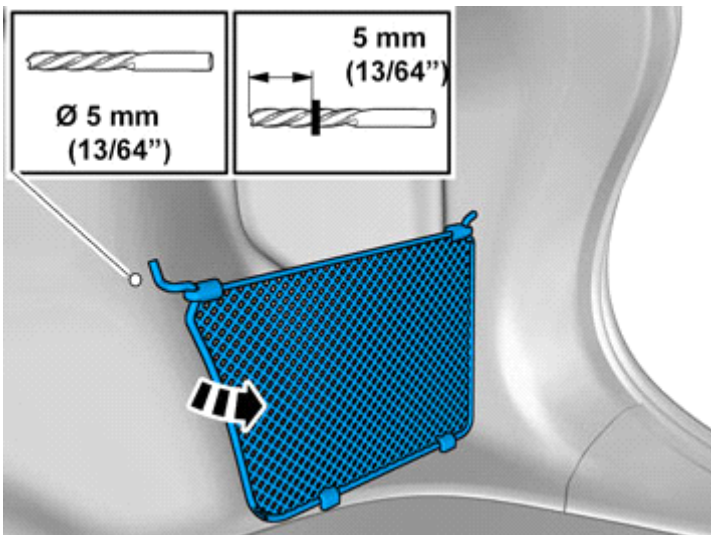


IMG-342338

Insert the mesh pocket's front mounting towards the panel and lower end towards the floor.

Mark the hole in the panel level with the middle of the radius of the bent wire frame.

4



IMG-342339

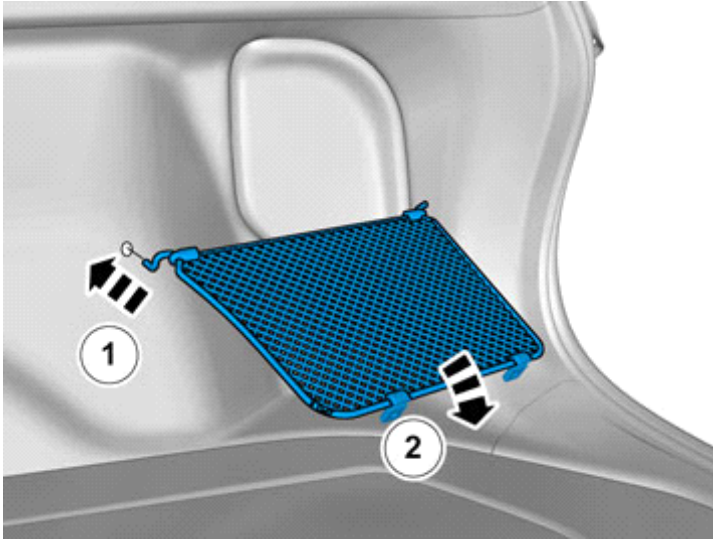
Move the front mounting to one side and drill the hole.



Installation instructions, accessories

Volvo Car Corporation Gothenburg, Sweden

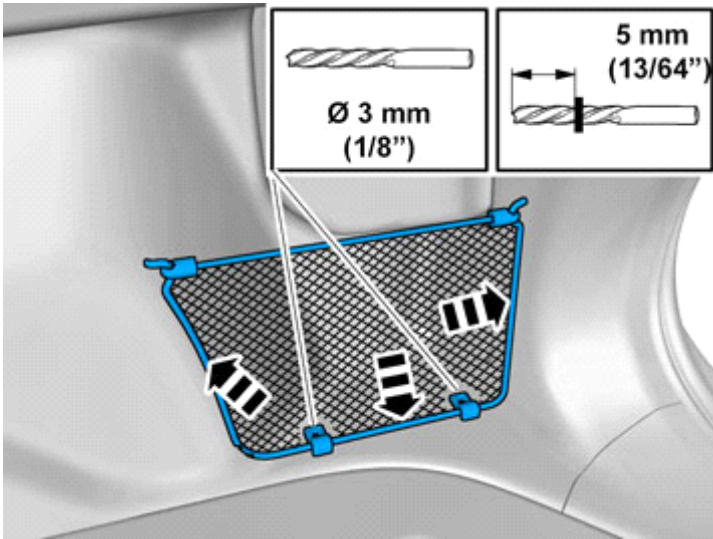
5



IMG-342342

Insert the front mounting in the panel and fold down the mesh pocket.

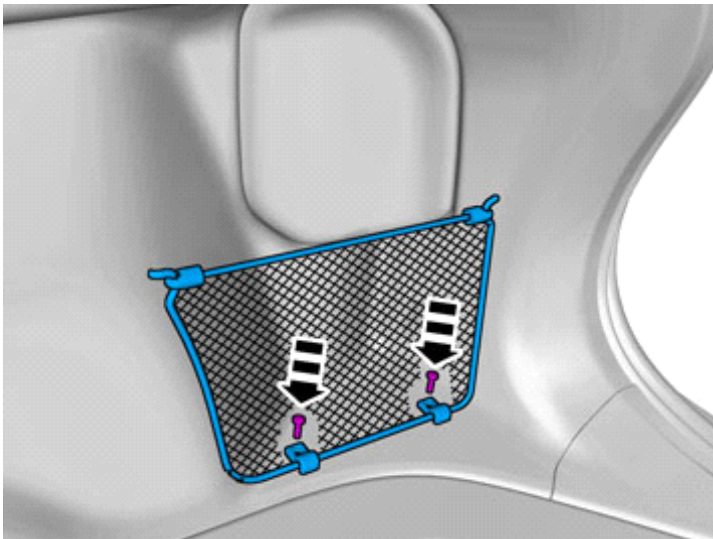
6



IMG-344396

Hold the pocket against the panel and drill out the holes through the two clips.

7



IMG-344397

Tighten the mesh pocket's lower end.

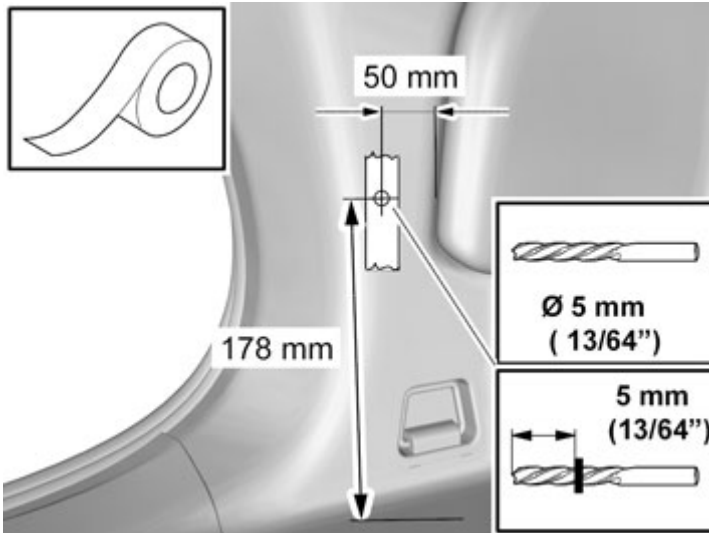


Installation instructions, accessories

Volvo Car Corporation Gothenburg, Sweden

Left-hand side

8

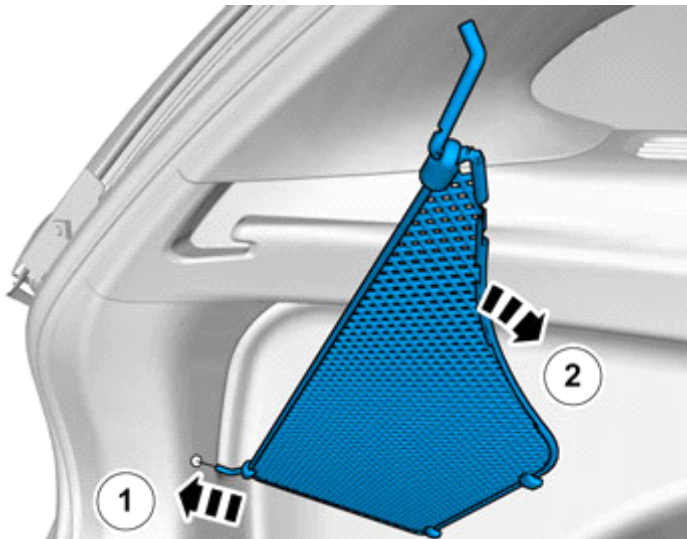


IMG-342464

Left-hand side

Drill out the hole.

9



IMG-342467

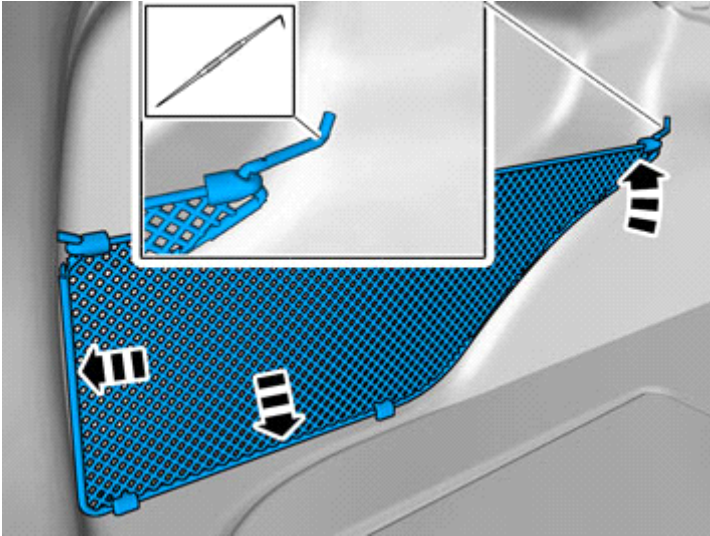
Insert the pocket's rear mounting in the hole in the panel and fold down.



Installation instructions, accessories

Volvo Car Corporation Gothenburg, Sweden

10

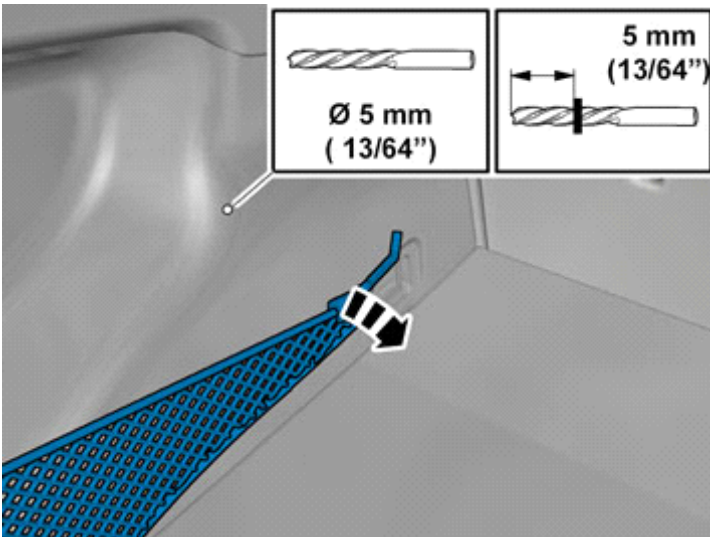


IMG-342466

Place the net pocket as illustrated and move the front mounting towards the panel.

Make a mark with the scribe in the panel where the mounting is to enter.

11

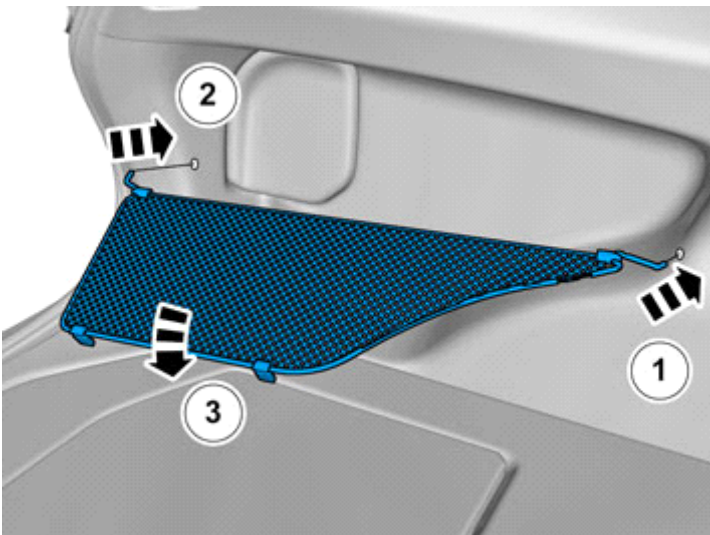


IMG-342463

Move the net pocket to one side.

Drill out the hole.

12



IMG-342465

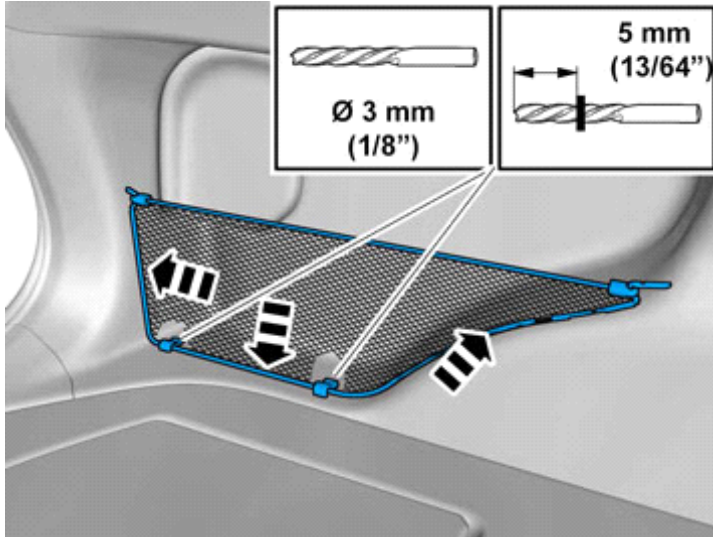
Install the net pocket.



Installation instructions, accessories

Volvo Car Corporation Gothenburg, Sweden

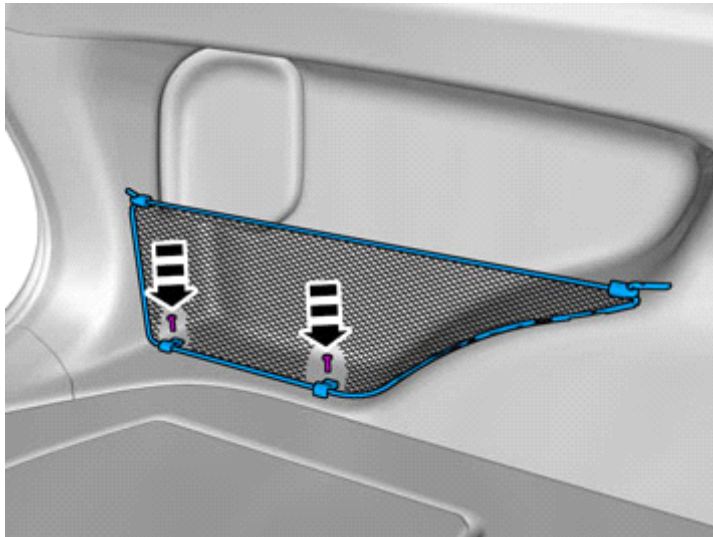
13



IMG-344398

Hold the net pocket against the panel and drill out the holes through the two clips.

14



IMG-344399

Tighten the mesh pocket's lower end.